



## User-configurable CDS rulesets to ease dynamic reconfiguration.

As Department of Defense networks continue to interconnect – and information exchange requirements mandate ever-increasing inter-communication – it's important to ensure the “plumbing” enabling this data flow is flexible, scalable and secure.

Rockwell Collins has been a trusted provider of these high-assurance systems for decades. In the past 20 years, we have developed high-assurance cross domain solutions (CDS) founded on Multiple Independent Levels of Security (MILS).

Our SecureOne™ User-defined Cross Domain Guard is an accredited, off-the-shelf CDS with a Guard Policy Designer toolset to rapidly change rulesets that

manage dataflows entering, exiting or transiting between networks of differing security levels. Unlike competing products, security and domain experts can use this toolset to quickly write and update rulesets with no annual fees or maintenance licenses.

When coupled with our SecureOne™ KOV-74 MILS Encryptor, the User-defined Cross Domain Guard can use unsecured networks for data flows between secure, distributed locations. This MILS architecture ensures that all data remains protected and unclassified as it moves over the unsecure networks, while at the other end the MILS decryptor paired with our CDS ensures data is sent to the appropriate destination security enclave.

Standard and non-standard messages can be processed, as well as other non-formatted and semi-formatted file types.

Our high-assurance CDSs are now being deployed for test and training range applications that require support for Top Secret through Unclassified cross-domain filtering for testing and Live, Virtual and Constructive (LVC) training, also referred to as “blended training.” Future roadmaps include international variants of both the SecureOne KOV-74 and User-defined Cross Domain Guard.

### SYSTEM CHARACTERISTICS

- SecureOne and UCDSMO-certified based architecture
- Top Secret through Unclassified all-way high assurance guard
- Rack mount (shown) and embedded form factors
- Green Hills® INTEGRITY® 178B MILS separation kernel
- Scalable support for multiple decentralized systems and security enclaves
- Low-latency communications (<2 ms typical, ruleset and protocol dependent)
- Designed for remote/network management

### CROSS DOMAIN PROTECTED NETWORK WITH MILS SECURITY

The CDS Drawer also can be used with our SecureOne™ KOV-74 MILS Tactical Encryptor. This NSA Type 1 four-channel MILS high-assurance programmable cryptographic product can protect Top Secret through Unclassified data, creating a fully configurable, cross domain protected network.

### SYSTEM INTERFACES

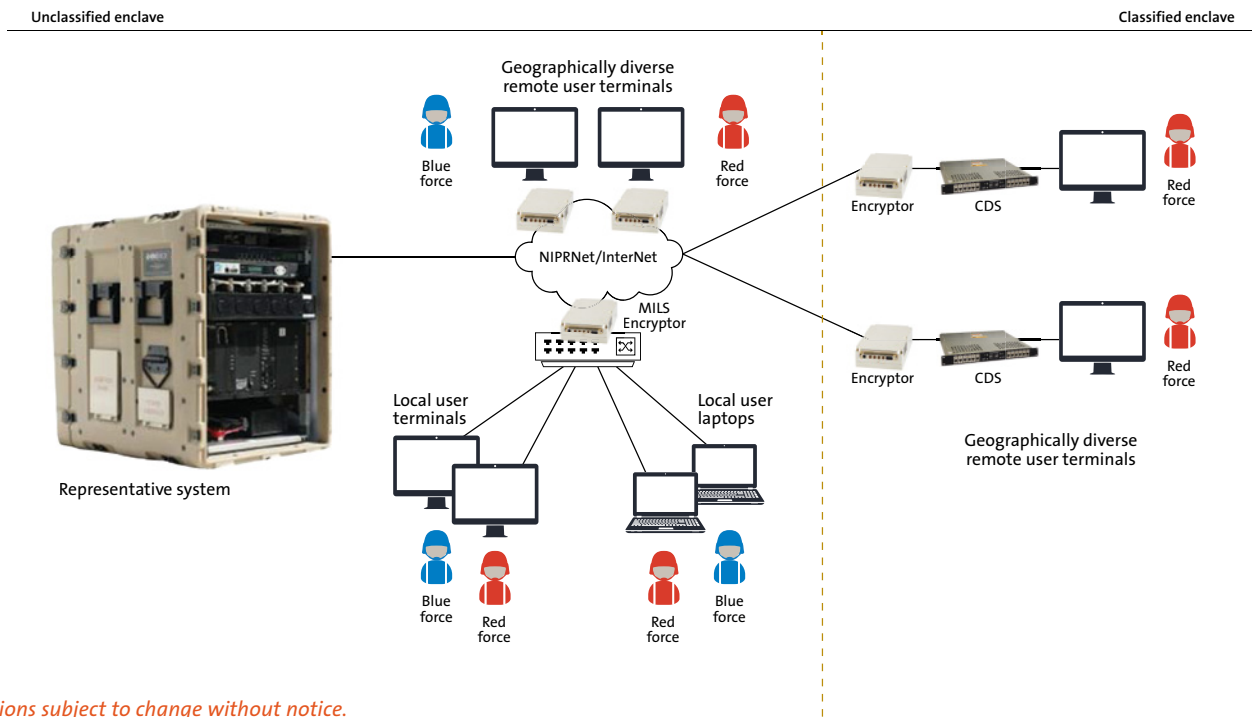
- 12 Ethernet interfaces – 10 channels for data, two for management control

### PHYSICAL CHARACTERISTICS

#### Enterprise

Chassis	1U, 19" rack
Weight	<10.0 lb
Power	25 watts; 120 VAC, 220/240 VAC
Cooling	Air cooled

### DISTRIBUTED MILS USER-DEFINED CROSS DOMAIN GUARD IMPLEMENTATION EXAMPLE



### Building trust every day.

Rockwell Collins delivers innovative aviation and high-integrity solutions that transform commercial and government customers' futures worldwide. Backed by a global network of service and support, we are deeply committed to putting our solutions to work for you, whenever and wherever you need us. In this way, working together, we build trust. Every day.

### For more information, contact:

Rockwell Collins  
400 Collins Road NE  
Cedar Rapids, Iowa 52498  
800.321.2223 | +1.319.295.5100  
fax: +1.319.378.1172  
learnmore@rockwellcollins.com  
rockwellcollins.com

**Rockwell  
Collins**

Building trust every day